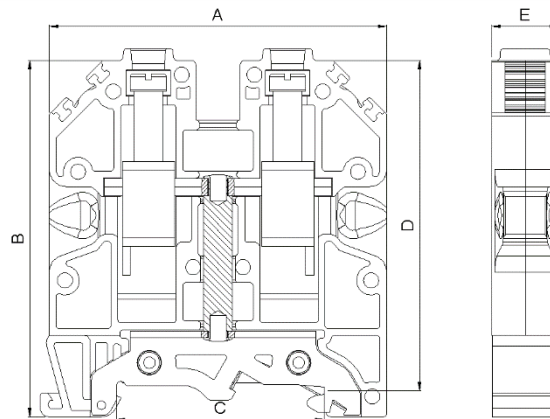




1295 – MTK 16 mm² Earth Rail Terminal Blocks



| Product Name | A (mm) | B (mm) | C (mm) | D (mm) | E (mm) |
|------------------------------|-------------|-------------|-----------|-----------|-------------|
| MTK 16 mm² | 58,2 | 61,3 | 35 | 57 | 11,6 |

| | |
|------------------------------------|--------------------------|
| General Product Information | |
| Isolation Material | PA 66 |
| UL 94 Flammability | V2 |
| Working temperature | (-40°C, +140°C) |
| TSE / CE Technical Data | |
| Voltage | 750 V |
| Current | - |
| Cross Section | 16 mm² |
| Norm | EN-60947-7-1 |
| UL Technical Data | |
| Voltage | 600 V |
| Current | - |
| Cross Section | 6 AWG |
| Norm | UL 1059 |
| Connection Information | |
| Connection type | Screwed |
| Stripping length | 10 mm |
| Torque | 1,2 Nm |

Accessories:

[Rails](#)

[Stoppers](#)

[Numbering Accessories](#)

[Marking Labels](#)

