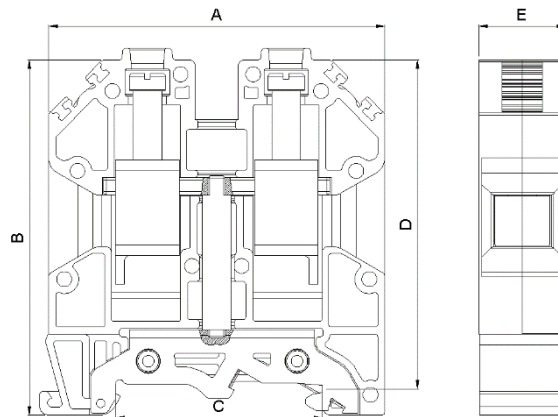




1296 – MTK 35 mm² Earth Rail Terminal Blocks



Product Name	A (mm)	B (mm)	C (mm)	D (mm)	E (mm)
MTK 35 mm²	58,2	61,3	35	57	15

General Product Information	
Isolation Material	PA 66
UL 94 Flammability	V2
Working temperature	(-40°C, +140°C)
TSE / CE Technical Data	
Voltage	750 V
Current	-
Cross Section	35 mm²
Norm	EN-60947-7-1
Connection Information	
Connection type	Screwed
Stripping length	10 mm
Torque	2,5 Nm

Accessories:

[Rails](#)

[Stoppers](#)

[Numbering Accessories](#)

[Marking Labels](#)

