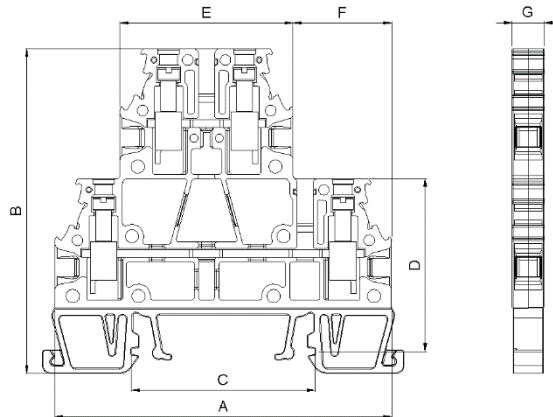




1612 – MRK-Ç 2,5 mm² Double Rail Terminal Blocks



Product Name	A (mm)	B (mm)	C (mm)	D (mm)	E (mm)	F (mm)	G (mm)
MRK-Ç 2,5 mm ²	63,3	61,3	35	36,7	32,5	19	6,2

General Product Information	
Isolation Material	PA 66
UL 94 Flammability	V2
Working temperature	(-40°C, +140°C)
TSE / CE Technical Data	
Voltage	500 V
Current	24 A
Cross Section	2,5 mm ²
Norm	EN-60947-7-1
UL Technical Data	
Voltage	600 V
Current	24 A
Cross Section	12 AWG
Norm	UL 1059
Connection Information	
Connection type	Screwed
Stripping length	10 mm
Torque	0,5 Nm

Accessories:

[Rails](#)

[Stoppers](#)

[Numbering Accessories](#)

[Marking Labels](#)

[Cross Connections](#)

